

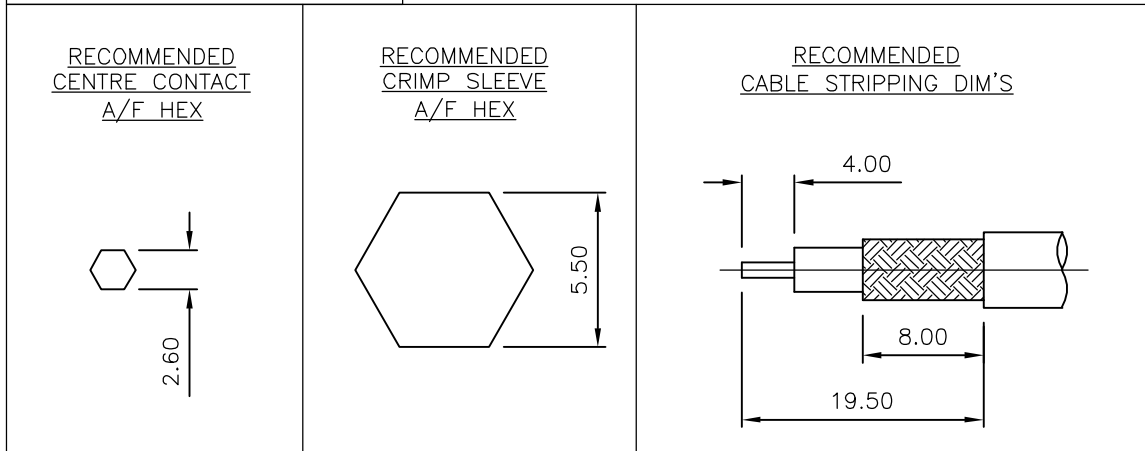
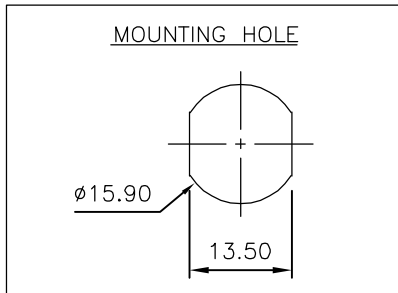
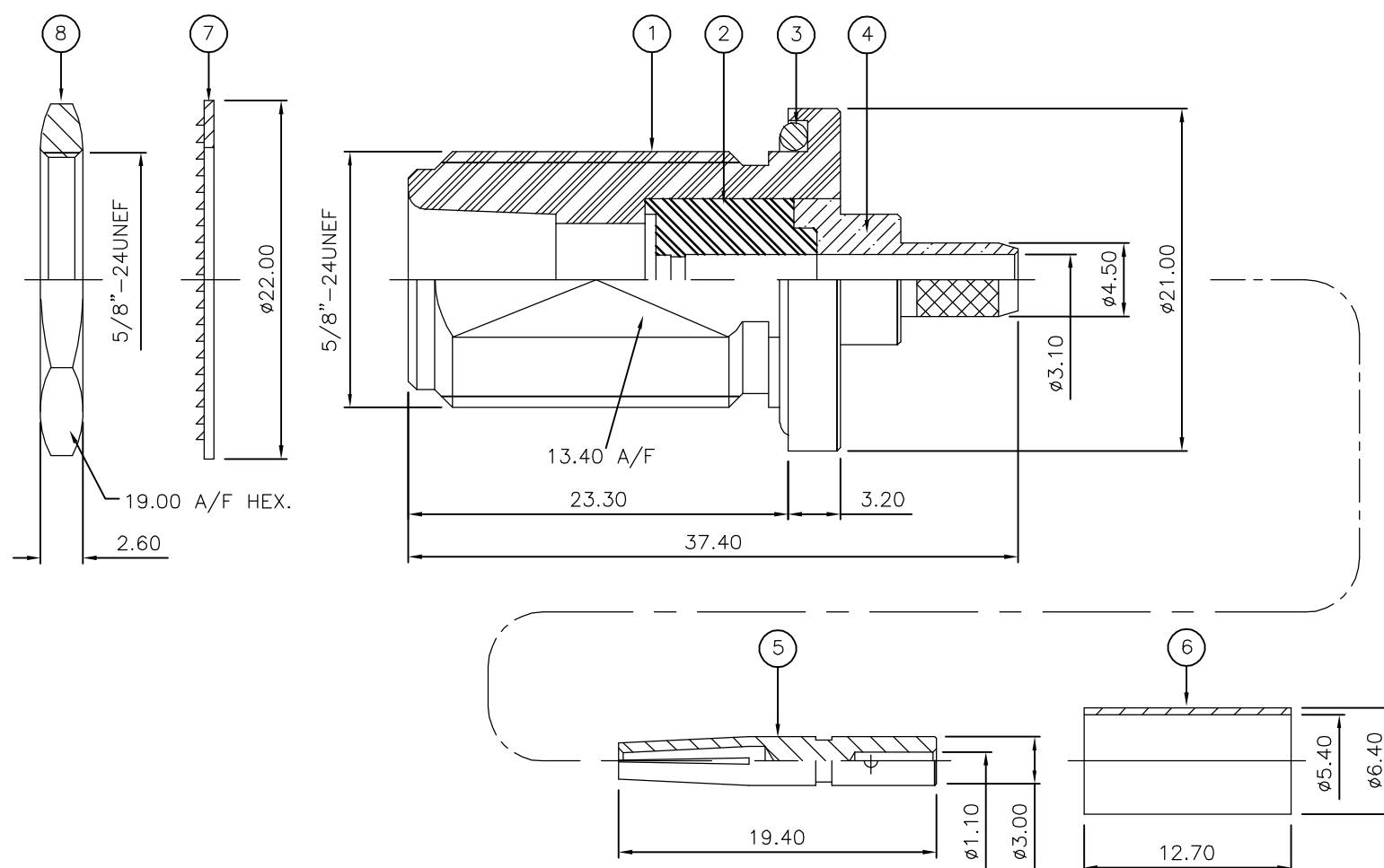
THIS DRAWING IS UNPUBLISHED. RELEASED FOR PUBLICATION MAY, 2006.

© COPYRIGHT 2006 BY TYCO ELECTRONICS CORPORATION. ALL RIGHTS RESERVED.

LOC	DIST	REVISIONS					
E	B	P	LTR	DESCRIPTION	DATE	DWN	APVD
		C		ECR-06-010127	17MAY06	JMS	FWK

NOTES:

- ① PACK IN ACCORDANCE WITH AMP SPEC 107-3275
- ② 100 TRAY PACK IN ACCORDANCE WITH AMP SPEC 107-3275
- ③ Ag PLATING
- ④ THIS ITEM MUST BE WHITE
- 5 HAND TOOL : 9-1478240-0
- 6 DIE SET : 9-1478242-0
- 7 ELECTRICAL CHARACTERISTICS
 FREQUENCY RANGE: DC - 11 GHz
 NOMINAL IMPEDANCE: 50 Ohm
 INSULATION RESISTANCE: 5000 MOhm
 WORKING VOLTAGE: 1000 Volts RMS at Sea Level
 DIELECTRIC WITHSTAND VOLTAGE: 2500 Volts RMS Max
 CONTACT RESISTANCE:
 CENTRE CONTACT: 1.00 mOhm Max
 OUTER CONTACT: 1.00 mOhm Max
 VSWR @ 4GHz: 1.30:1 Max
 INSERTION LOSS dB @ x 4 GHz: 0.30 Max
- 8 MECHANICAL CHARACTERISTICS
 COUPLING NUT RETENTION FORCE: N/A
 CABLE RETENTION FORCE: 170N Min
 MOUNT NUT RECOMMENDED TORQUE: 6N
 DURABILITY: 500 Cycles Min
- 9 ENVIRONMENTAL CHARACTERISTICS
 OPERATING TEMPERATURE: -65 to +165 DegC
- 10 FOR TECHNICAL DATA REFER TO YOUR LOCAL TYCO ELECTRONICS SALES OFFICE
- 11 ALL DIMENSIONS ARE NOMINAL FOR REFERENCE ONLY UNLESS OTHERWISE STATED



QTY	QTY PER ASSY	MATERIAL	DESCRIPTION	ITEM
1	1	BRASS	HEXAGONAL NUT	8
1	1	STEEL	LOCKWASHER	7
1	1	BRASS	FERRULE	6
1	1	BRASS	CONTACT	5
1	1	BRASS	CHASSIS	4
1	1	SILICONE RUBBER	O-RING	3
1	1	PTFE	INSULATION	2
1	1	BRASS	BODY	1
6--0	1--0		MATERIAL	DESCRIPTION
				ITEM

THIS DRAWING IS A CONTROLLED DOCUMENT.

DWN J.SANDWELL 17MAY06
 CHK S.PARLOW 17MAY06
 APVD F.WHEELER-KING 17MAY06

PRODUCT SPEC
 APPLICATION SPEC
 411-3247

WEIGHT -

CUSTOMER DRAWING

SCALE NTS

SHEET 1 OF 1

REV C

Tyco Electronics Corporation
 Bideford EX39 4HE

NAME
 TYPE 'N' BULKHEAD JACK REAR MNT CRIMP 50 OHM
 RG58C/U, 141A/U, URM43, 76, KX15

SIZE A3 CAGE CODE 00779 DRAWING NO C-1337625 RESTRICTED TO -